

YEAR
5
WARRANTY

if
design award
winner

Certified Product
**Australian
Standard
AS/NZS
2293**

K9 Emergencies

Architectural Range of Emergency Lighting
Spacing table to AS/NZS 2293.1:2018



IK
04

IP
20



LIGHTING NETWORK
CONTROL SYSTEM



MONITORING
SAFETY MANAGER



AUTOMATIC
SELF TEST

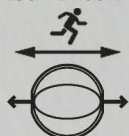


INTELLIGENT
BATTERY SYSTEM

ANTI-PANIC ESCAPE ROUTE



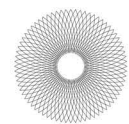
SQUARE
DISTRIBUTION



ELONGATED
DISTRIBUTION

ETAP 
EXCELLENT LIGHTING, SAVING ENERGY

Distributed By:



bluelab
DESIGN
LUMINAIRE CREATORS

+61 (03) 5278 6007
info@bluelab.com.au
www.bluelab.com.au

Why ETAP Emergency Lighting?



K9 EMERGENCY LIGHTING

- Sleek, clever design, ideal for Architectural Spaces
- Choice of accessories for flexibility in installation
- NiMH (Nickel-Metal Hydride) battery is less harmful to the environment and able to be recycled
- 20% less power consumed than other Emergency products on the market
- 5-year factory warranty
- ENEC Certified awarded for high safety products
- Low fail rate on products and testing
- Over 70 years of experience



Escape route



Anti-panic

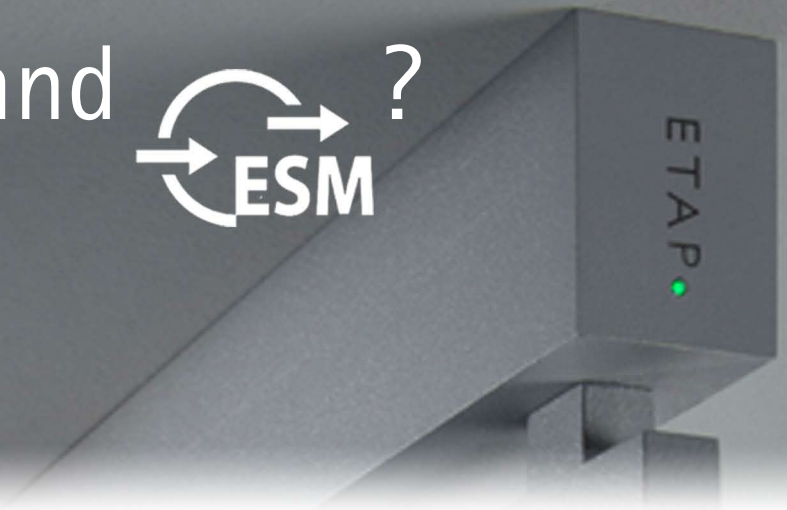


OPTICS LENSES

ANTI-PANIC or ESCAPE ROUTE

- LED lenses will distribute light more evenly, less products needed and improved visibility during evacuation
- Anti-panic is square distribution for square rooms
- Escape Route is elongated distribution for passages 17.2m spread in a 2.7m standard ceiling height. And up to 29.8m spread in a 6 meters ceiling height

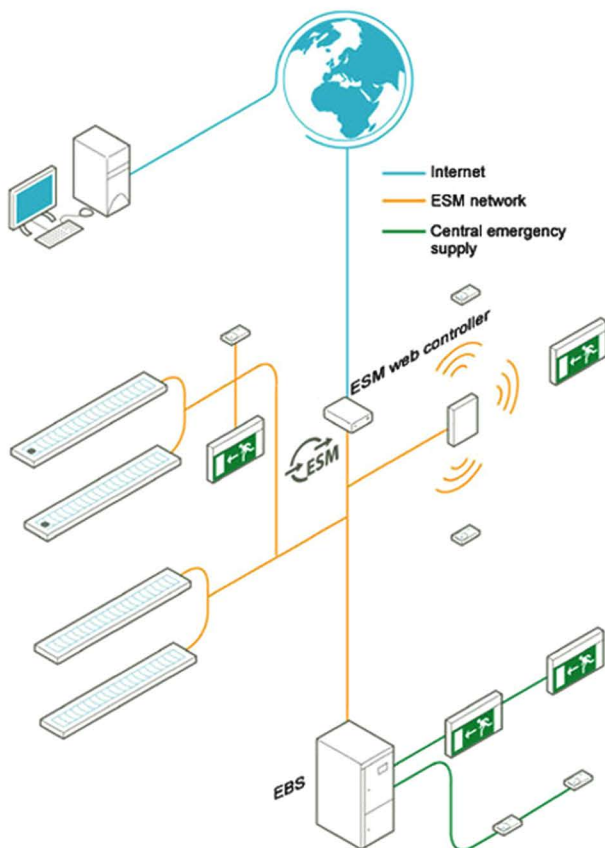
What is and ?



EST+ COMPREHENSIVE SELF-TESTING



- There are three tests performed automatically: Diode function, Wiring test and Battery health
- Fortnightly function tests are performed
- Quarterly battery health/duration test. Just like a mobile phone the Emerg/exit batteries need to drain (drained to 90 mins) and recharged, the test will run the product to ensure the battery is to ASNZ2293 requirements for duration
- Function display is discreet
- Fault sequences are displayed to inform the maintenance person
- Testing will check for faults and inform of: wiring faults, diode faults, battery faults, illumination deficiencies and battery life deficiencies
- See demonstration video following the QR code on the last page

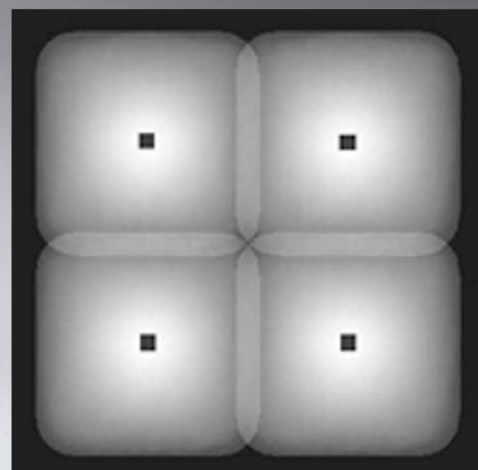


ESM REMOTE TESTING AND MONITORING SYSTEM

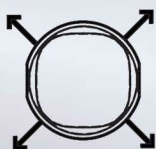
- ESM can monitor any other Emergency and Exit products with DALI
- Monitor and display health on wiring, battery and diode health
- Spare parts and replacements can be ordered from system
- 1 off licence fee
- Additional products and increased system license can be added
- 1 system can operate multiple locations
- Fully remote access is available

K9 Anti-Panic Lens

K9R12



SQUARE LIGHT DISTRIBUTION



Spacing Table Guide

Illuminance 0.2 Lux

Closest Classification C0:A630 C90:A630

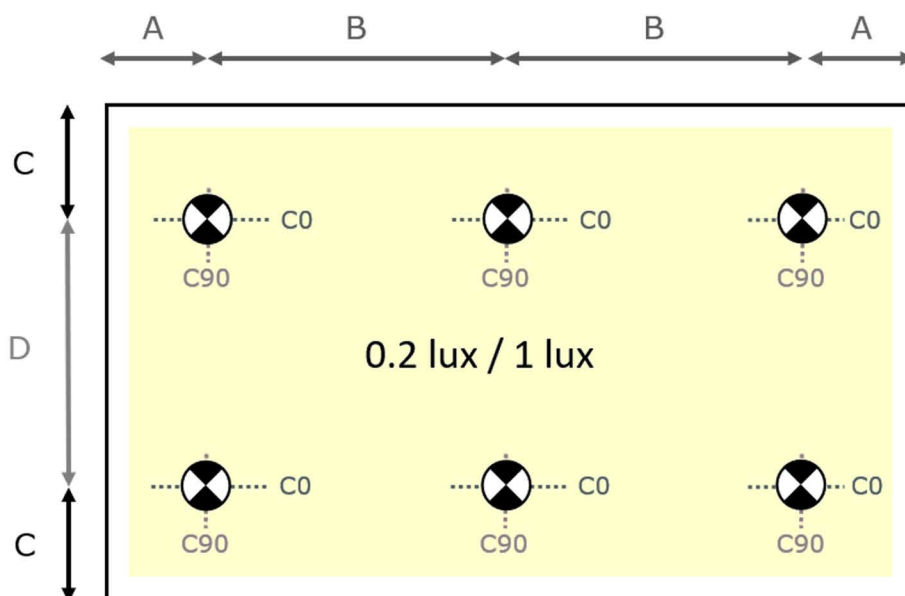
Mounting Height (m)	2.1	2.4	2.7	3.0	3.3	3.6	4.0	4.5	5.0	6.0	7.0	8.0	9.0	10.0	15.0	20.0
A	4.8	5.6	6.2	6.9	7.5	8.1	8.8	9.6	10.3	11.3	11.9	10.7	7.6	7.6	0.5	1.4
B (C0)	10.5	11.7	13.0	14.2	15.5	16.7	18.4	20.4	22.4	26.2	29.5	31.8	32.6	33.1	33.4	24.2
C	4.9	5.6	6.2	6.9	7.5	8.1	8.8	9.6	10.2	11.2	11.9	10.6	7.7	7.4	0.5	1.6
D (C90)	10.5	11.7	13.0	14.2	15.5	16.7	18.4	20.4	22.4	26.2	29.5	31.8	32.6	33.1	33.4	24.2

Spacing Table Guide

Illuminance 1 Lux

Closest Classification C0:E80 C90:E80

Mounting Height (m)	2.1	2.4	2.7	3.0	3.3	3.6	4.0	4.5	5.0	6.0	7.0	8.0	9.0	10.0
A	4.6	5.1	5.4	5.5	5.3	5.1	4.0	3.5	3.5	0.7	0.5	0.5	0.7	0.5
B (C0)	9.5	10.6	11.7	12.8	13.7	14.2	14.4	14.9	15.0	14.4	15.3	14.9	10.7	7.3
C	4.6	5.1	5.4	5.5	5.1	5.0	4.0	3.4	3.6	0.7	0.5	0.5	0.6	0.5
D (C90)	9.5	10.6	11.7	12.8	13.7	14.2	14.4	14.9	15.0	14.4	15.3	14.9	10.7	7.3

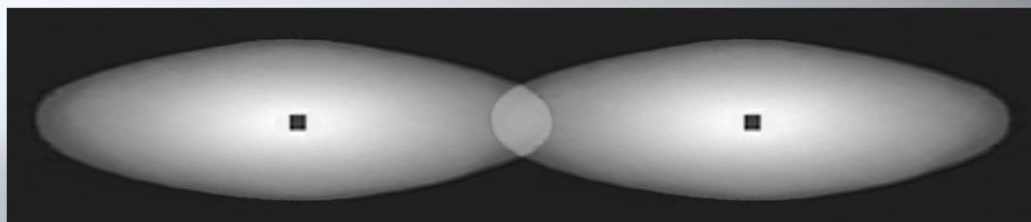
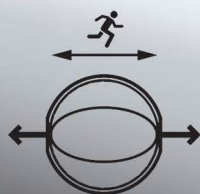


K9 Escape Route Lens

K9R11



ELONGATED LIGHT DISTRIBUTION

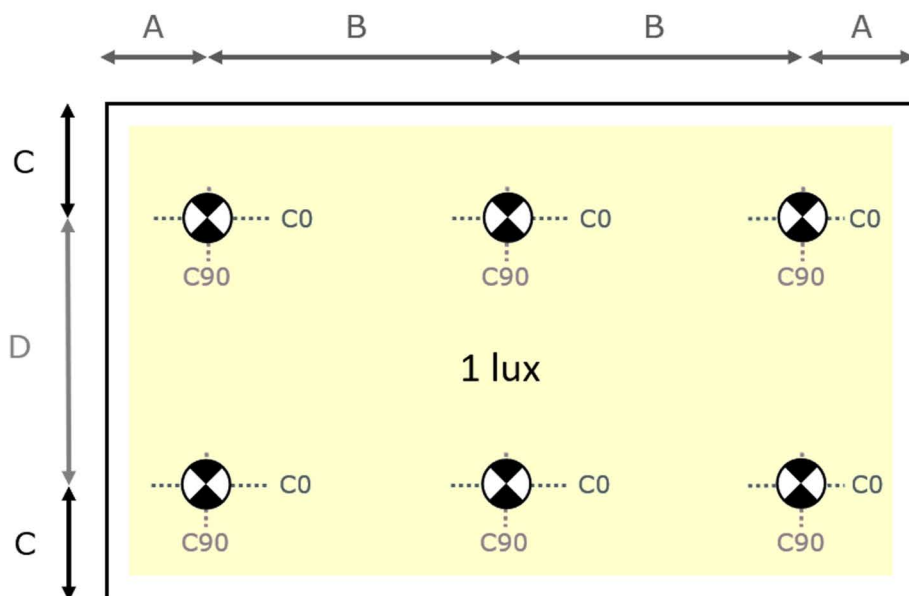


Spacing Table Guide

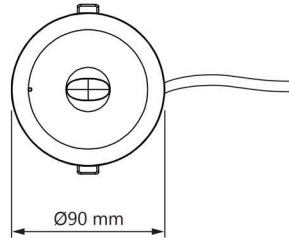
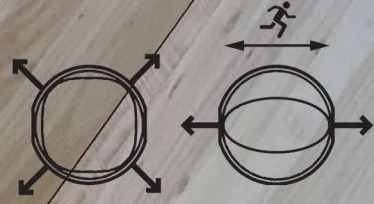
Illuminance 1 Lux

Closest Classification C0:D800 C90:A25

Mounting Height (m)	2.1	2.4	2.7	3.0	3.3	3.6	4.0	4.5	5.0	6.0	7.0	8.0	9.0	10.0
A	8.1	8.9	9.7	10.5	11.1	11.8	12.5	13.4	14.2	11.7	10.1	7.5	0.5	0.5
B (C0)	16.7	18.5	20.1	21.9	23.5	25.1	27.1	29.5	31.6	35.4	35.1	35.3	30.0	26.6
C	2.1	2.3	2.5	2.6	2.8	3.0	3.2	3.4	3.5	2.7	2.1	1.8	1.5	1.2
D (C90)	4.3	4.3	4.4	4.7	5.0	5.4	5.9	6.5	7.0	7.5	7.1	7.2	5.2	4.4

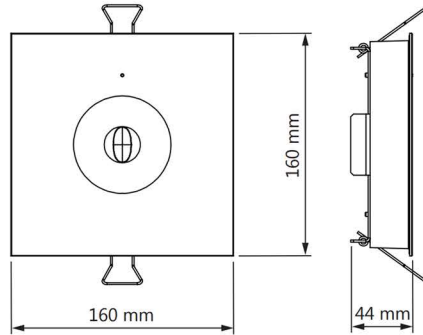


K9 Emergency Lighting



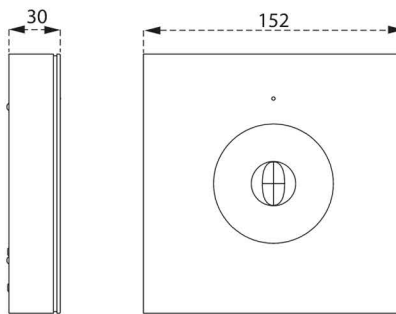
Recessed Round

Compact round emergency light, for plaster or timber ceilings minimum impact on the space and powerful performance 90 mm diameter. Optional powder coat finishes



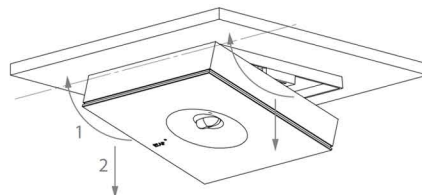
Recessed Square

Square recessed can be perfectly integrated and seamlessly fit into the ceiling's architecture 160 mm x 160 mm



Surface Mounted

Shallow compliant solution when recessing is not a possibility, keeping a stylish and discreet line 152 mm x 152 mm x 32 mm



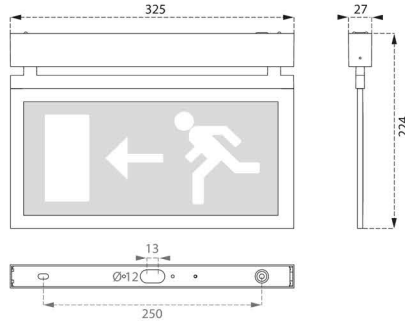
Colours

Standard colours for all K9 Housing are: Raw aluminium, White, Black and Grey. Upon request any customizable powder colour. Finish in RAL available

Upon request extended lead, for remote gear at extended lengths up to 20 meters. Extension lead with Wieland connected plugs, double insulated cable.

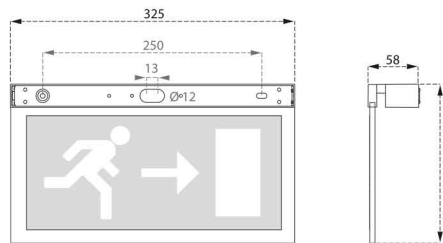
K9 Blade Exit

The IF award winning 24m rated. K9 is sleek in design for any Interior spaces. The K9 Exit's pure and simple design include dot-matrix Plexiglass for increased signage visibility and integral discreet testing display. The K9 Exit is not universal mount with aluminum construction the K9 has seamless solutions for all spaces, coupled with powder coat finish choices



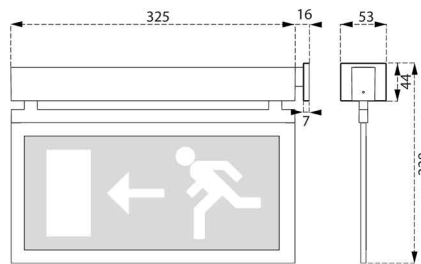
Surface Mounted K9R14

Slimline surface mounted Exit with integral Emergency gear NiMH battery. *Optional suspension see below



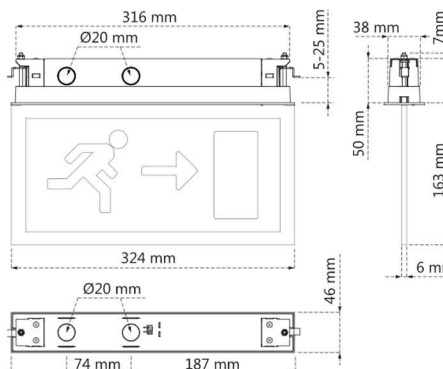
Wall Mounted K9R43

The most discreet wall option on the market



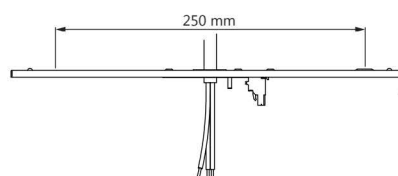
Flag Wall K954

90 degree or perpendicular wall mounted. A great alternate option to suspending with double sided signage



Recessed K924

Perfectly recessed for flush ceiling lines with option flange finish to blend into any ceiling



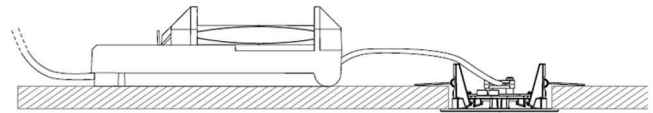
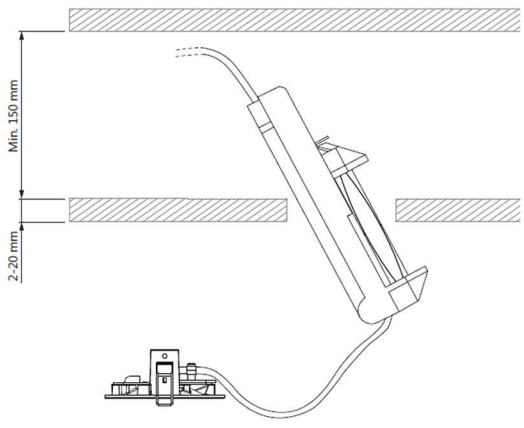
Suspended Kit

Wire or Rod suspended accessories at custom lengths

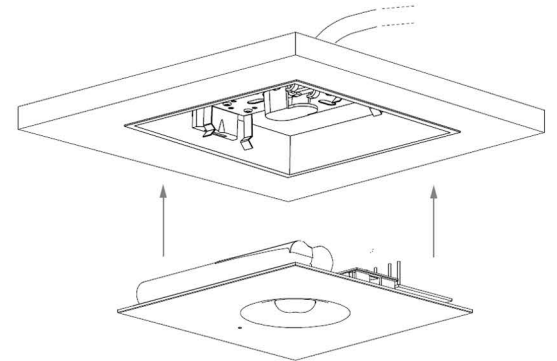
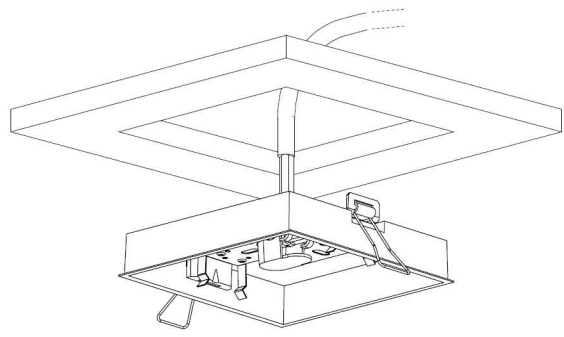
K9 Lighting Installation



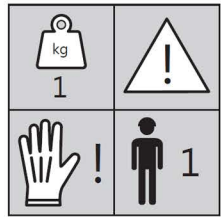
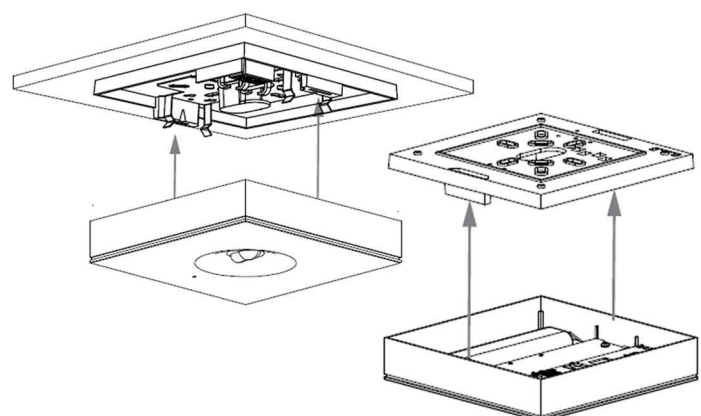
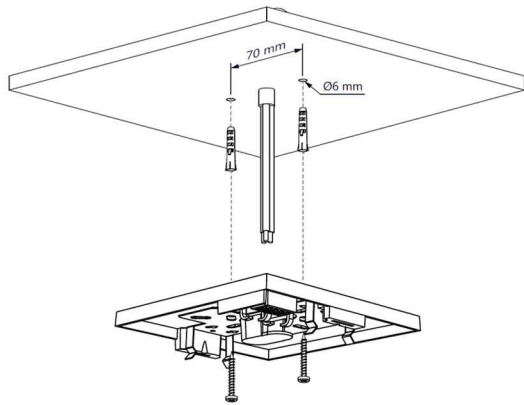
Recessed Round



Recessed Square



Surface Mounted



YouTube

Installation Diagnostic



Battery Diagnostic



Electronics Diagnostic

