

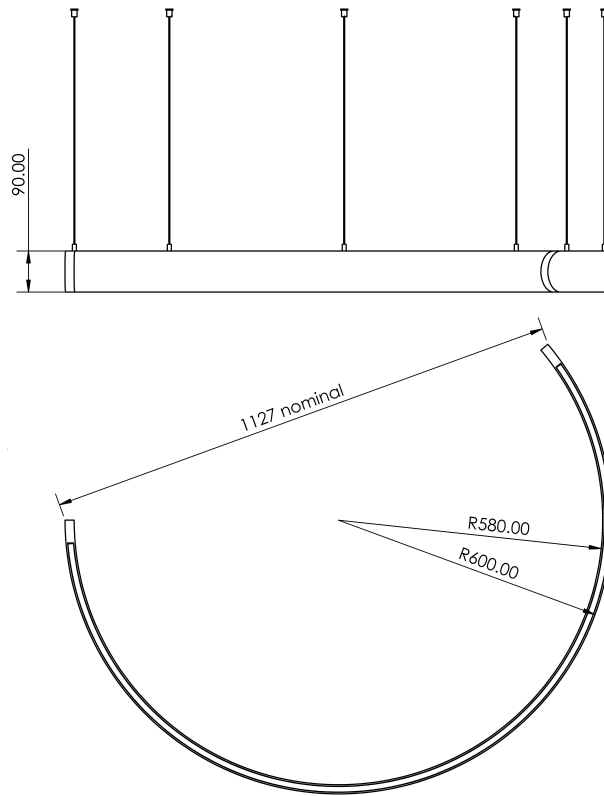
COLLECTION: TRUSS

Arc-1



COLLECTION: TRUSS

Arc-1



DESCRIPTION

The curved Arc pendant, made from Tasmanian oak in Geelong, Victoria, is crafted from sustainable hardwood. Featuring high-quality commercial components, it is an efficient and durable luminaire available in various sizes and combinations, offering flexibility for different settings.

MOUNTING

DIMENSIONS

1200mm diam x 90mm high

WEIGHT

3kg

MATERIALS

Tasmanian Oak

FINISHES

Clear. Stain on request

ELECTRICAL

LIGHT SOURCE

Continuous Led

INPUT/POWER

24V DC. 17W

DRIVER

Osram/Tridonic

DIMMING

Dali, phase