



E8

HIGH BAY

# E8 HIGH BAY

POWERFUL LIGHTING FOR HIGH SPACES



For industry and warehouses



From 5 m and higher



High luminous flux



Spray proof



Robust



Dust free



DALI



ENEC approved

# E8 HIGH BAY

STRONG DESIGN



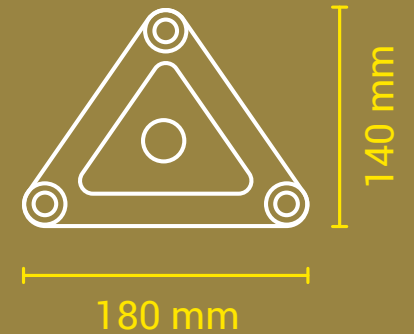
Robust:  
IP65 and IK08.

Triangular shape: no dust  
accumulation, contributes  
to hygiene & cooling.

Multilens optics:

- high performance (up to 168 lm/W);
- focused light distribution;
- polycarbonate, splinter-free;
- smooth surface, easy to clean.

Aluminium housing:  
smooth & easy to clean.



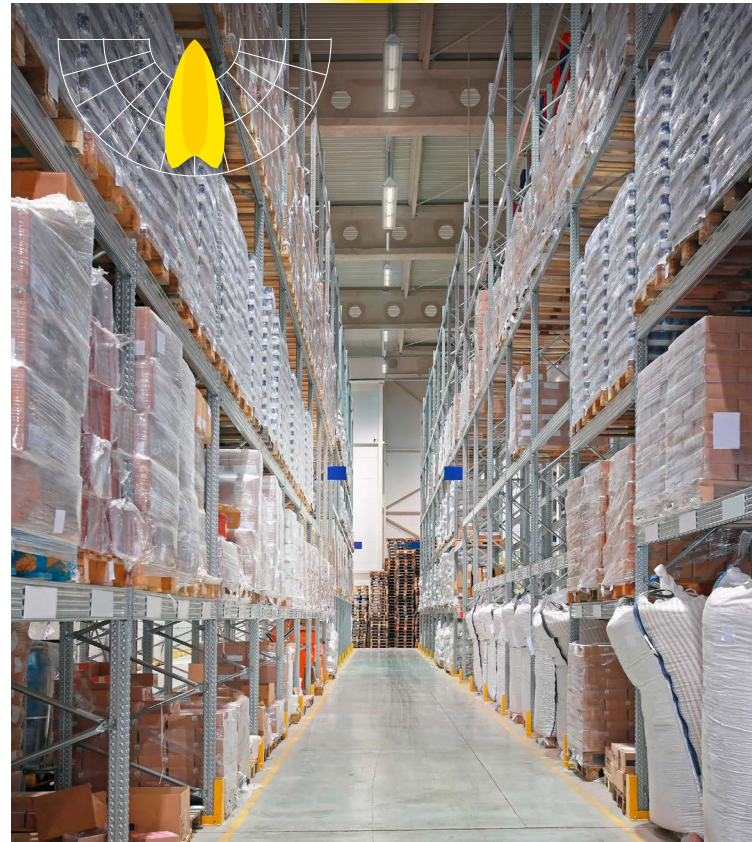
# E8 HIGH BAY

TWO LIGHT DISTRIBUTIONS



**WIDE-BEAM (UGR  $\leq 22$ )**

for large halls



**NARROW-BEAM (UGR  $\leq 19$ )**

for racks and warehouse corridors

# E8 HIGH BAY

FOUR LENGTHS



# E8 HIGH BAY

## LIFETIME AND TEMPERATURE RANGE



LLMF (Lamp Lumen Maintenance Factor): min. 91% luminous flux after 50,000 burning hours.



Optimal cooling thanks to the dust-free housing, resulting in long service life and high light retention.



Temperature range: -40° to 55°C



E8 has the D-label (limited surface temperature), in accordance with EN 60598-2-24 and often required in, among others, wood processing companies.

<u>AMBIENT TEMPERATURE</u>	<u>TEMPERATURE HOUSING (MAX.)</u>
25°C	39°C
35°C	49°C
45°C	59°C
55°C (*)	69°C

(\*) Ambient temperature 55°C is not allowed for all luminaires - consult technical fiche.



### WHAT IF IT GETS HOTTER THAN 55°C?

Electronics and LEDs are sensitive to heat. Therefore, the E8 driver has a protection mechanism: if the luminaire gets too hot, the driver will automatically dip back to lower the temperature.

# E8 HIGH BAY

PERFECT MATCH FOR FOOD INDUSTRY



## ROBUST

Dust-tight and protected from spray water (IP 65).



## HYGIENIC

Easy to keep clean.



## SAFE

You can't lose any screws when disassembling the headpiece thanks to anti-loss rings.



No risk of glass/splinters (polycarbonate).

E8 fulfils the European requirements on the hygiene of foodstuffs (EC No 852/2004), and is perfectly suited for food-processing companies which use a food safety management system (HACCP).

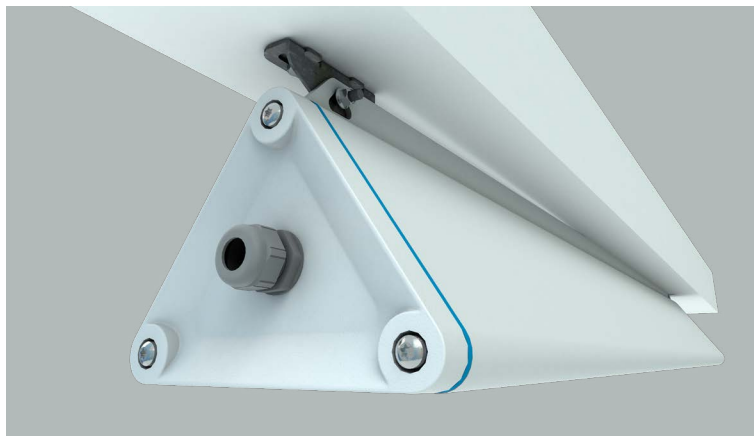


# E8 HIGH BAY

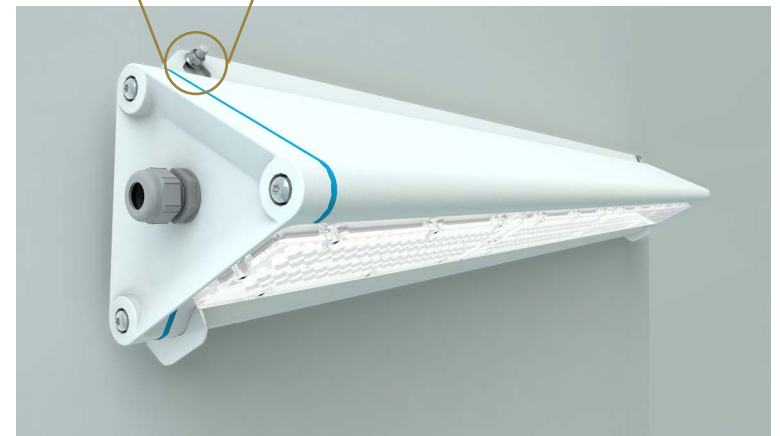
## INSTALLATION



SUSPENDED



SURFACE-MOUNTED

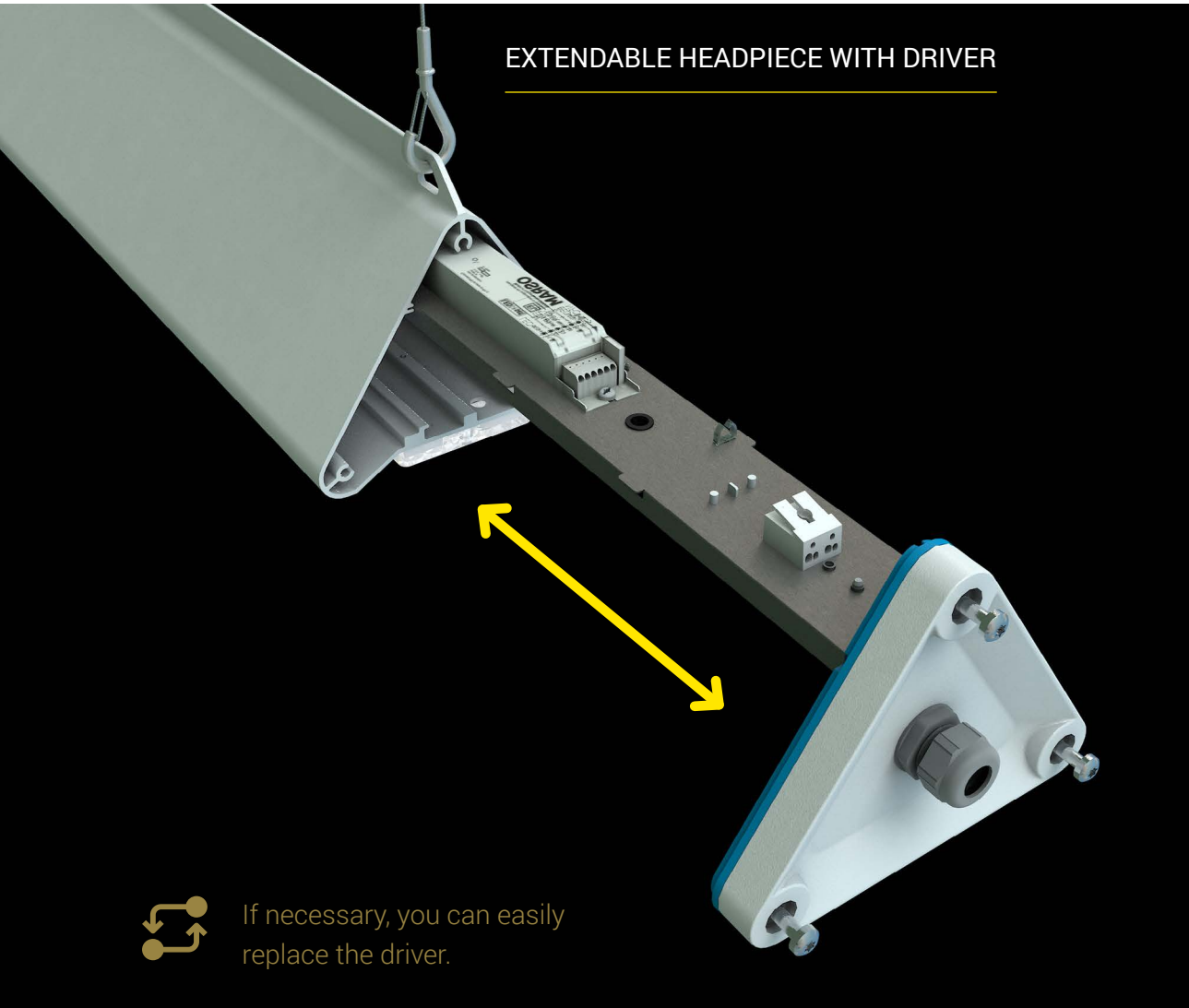


WALL-MOUNTED

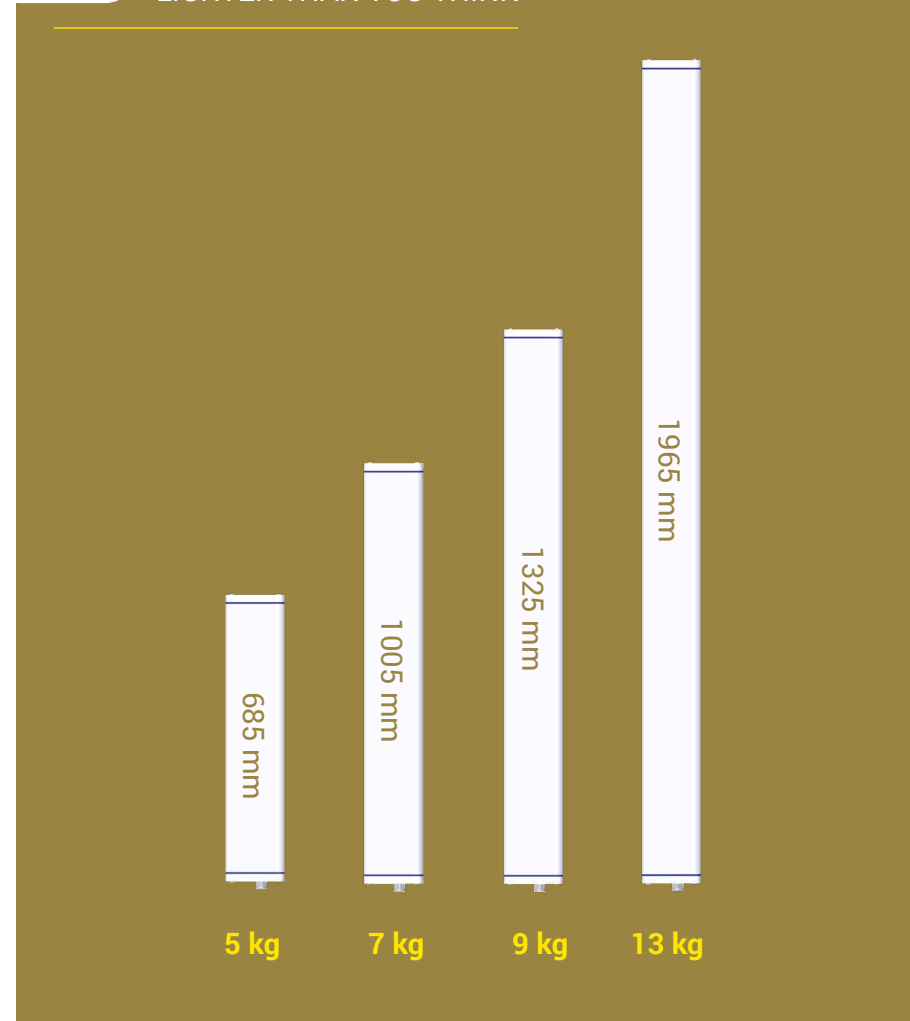
▶ [Have a look at E8 the installation video.](#)

# E8 HIGH BAY

## INSTALLATION



## LIGHTER THAN YOU THINK



# E8 HIGH BAY

## OPTIONS



M20 cable gland.



M25 cable gland.



M20 cable gland with through-wiring (5 x 2,5mm<sup>2</sup> - L, PE, N, DA, DA).



M25 cable gland with through-wiring (5 x 2,5mm<sup>2</sup> - L, PE, N, DA, DA).



Two M20 cable glands at the same side.



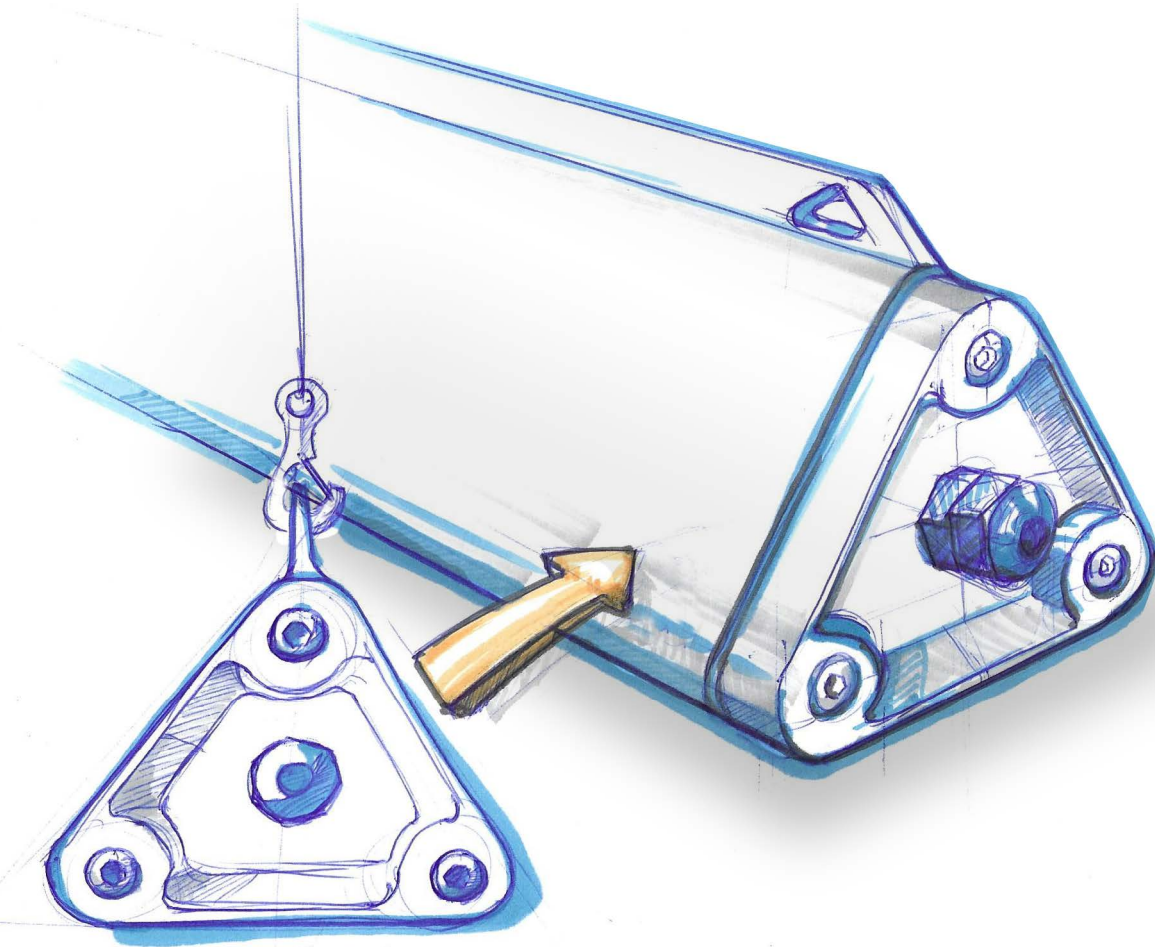
With a 2 m cable end (5 x 1,5mm<sup>2</sup> - L, PE, N, DA, DA).



With an IP65 Wieland connector (RST20i5).

# E8 HIGH BAY

WHAT'S IN A SHAPE?



## FORM FOLLOWS FUNCTION

*"The starting point for our design was hygiene: thanks to the sloping sides, dust doesn't get the chance to stick. The seamless connection between head piece, seal and housing ensures a smooth and perfectly finished design."*

*Brecht Staelens & Michaël Steenhoudt, E8 design team*

# E8 HIGH BAY

CIRCULAR DESIGN



E8 was developed according to the principles of circular design:

- Parts are **not glued** and easy to **disassemble**.
- **Replaceable** driver and light source to give luminaires a **second life**.
- E8 consists of more than 90% **recyclable aluminium**.

# E8 HIGH BAY

SERIES



		685 mm	1005 mm	1325 mm	1965 mm
E82 wide-beam	Max 55°C	10150 lm			
		12200 lm	18300 lm	24350 lm	36550 lm
	Max 45°C	14150 lm	21200 lm	28300 lm	42450 lm
E80 narrow-beam	Max 55°C	10150 lm			
		12200 lm	18300 lm	24350 lm	36550 lm
	Max 45°C	14150 lm	21200 lm	28300 lm	42450 lm

🔗 [Check out the product codes and datasheets on our website.](#)

# E8 HIGH BAY

---



*"The body should be triangular,  
the mind circular."*

---

*Morihei Ueshiba*

