

YEAR
5
WARRANTY

if
design award
winner

Certified Product
**Australian
Standard
AS/NZS
2293**

K9 Mini

Emergency Lighting in its most compact form
Spacing table to AS/NZS 2293.1:2018



IK
04

IP
20

DALI

ESM

EST+

EBS

ANTI-PANIC

ESCAPE ROUTE



LIGHTING NETWORK
CONTROL SYSTEM

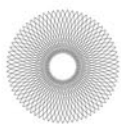
MONITORING
SAFETY MANAGER

AUTOMATIC
SELF TEST

INTELLIGENT
BATTERY SYSTEM

SQUARE
DISTRIBUTION

ELONGATED
DISTRIBUTION

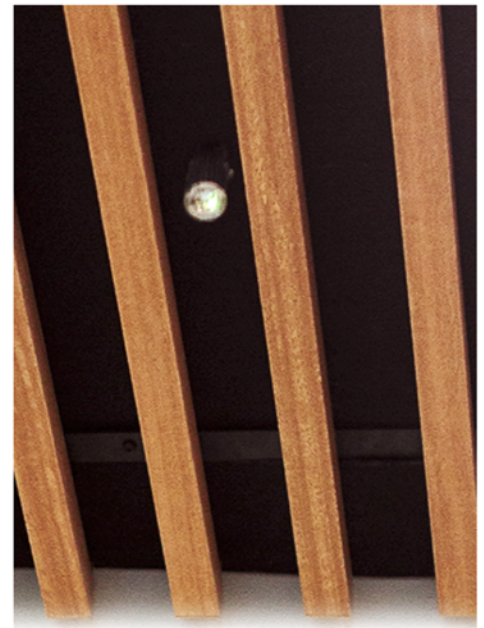


Why ETAP Emergency Lighting?



EMERGENCY LIGHTING

- Smallest Emergency in Australia
- Choice of accessories for flexibility in installation
- NiMH (Nickel-Metal Hydride) battery is less harmful to the environment and able to be recycled
- Sleek small design, ideal for Architectural Spaces
- 20% less power consumed than other Emergency products on the market
- 5-year factory warranty
- ENEC Certified awarded for high safety products
- Low fail rate on products and testing



OPTICS LENSES

ANTI-PANIC or ESCAPE ROUTE

- LED lenses will distribute light more evenly, less products needed and improved visibility during evacuation
- Anti-panic is square distribution for square rooms
- Escape Route is elongated distribution for passages 17.2m spread in a 2.7m standard ceiling height. And up to 29.8m spread in a 6 meters ceiling height



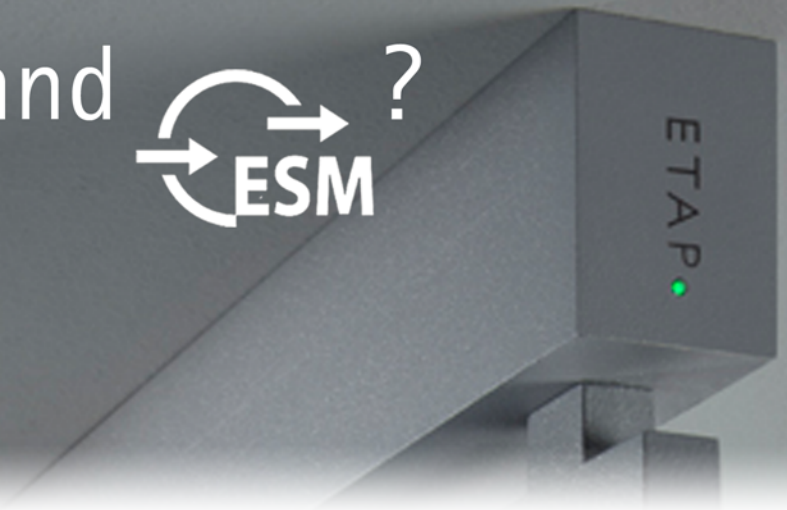
Escape route



Anti-panic



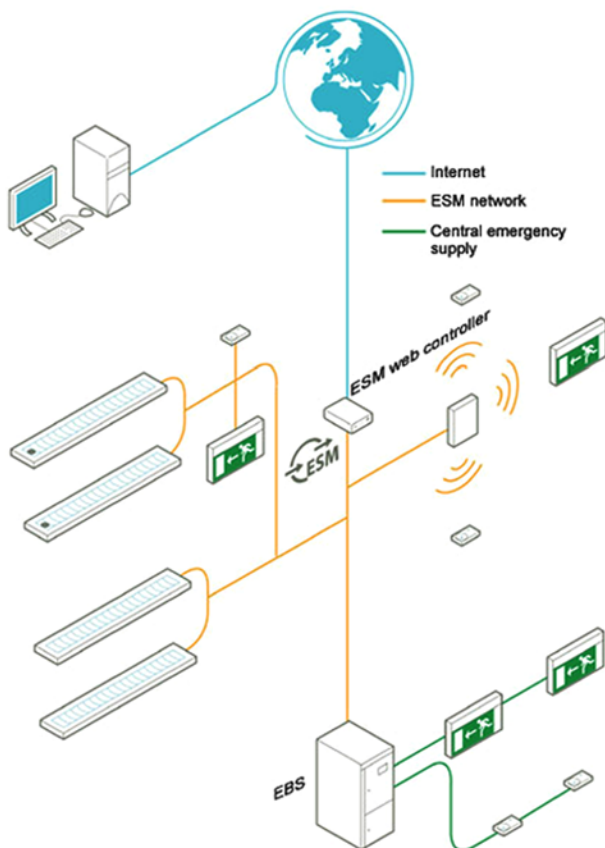
What is and ?



EST+ COMPREHENSIVE SELF-TESTING



- There are three tests performed automatically: Diode function, Wiring test and Battery health
- Fortnightly function tests are performed
- Quarterly battery health/duration test. Just like a mobile phone the Emerg/exit batteries need to drain (drained to 90 mins) and recharged, the test will run the product to ensure the battery is to ASNZ2293 requirements for duration
- Function display is discreet
- Fault sequences are displayed to inform the maintenance person
- Testing will check for faults and inform of: wiring faults, diode faults, battery faults, illumination deficiencies and battery life deficiencies
- See demonstration video following the QR code on the last page

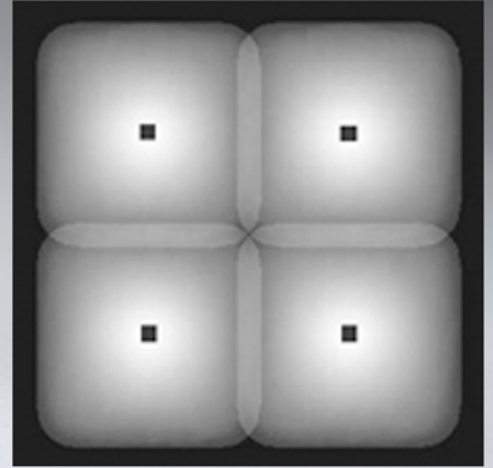


ESM REMOTE TESTING AND MONITORING SYSTEM

- ESM can monitor any other Emergency and Exit products with DALI
- Monitor and display health on wiring, battery and diode health
- Spare parts and replacements can be ordered from system
- 1 off licence fee
- Additional products and increased system license can be added
- 1 system can operate multiple locations
- Fully remote access is available

K9 Mini Anti-Panic Lens

K9R02



Spacing Table Guide

Illuminance 0.2 Lux

Closest Classification C0:B320 C90:B320

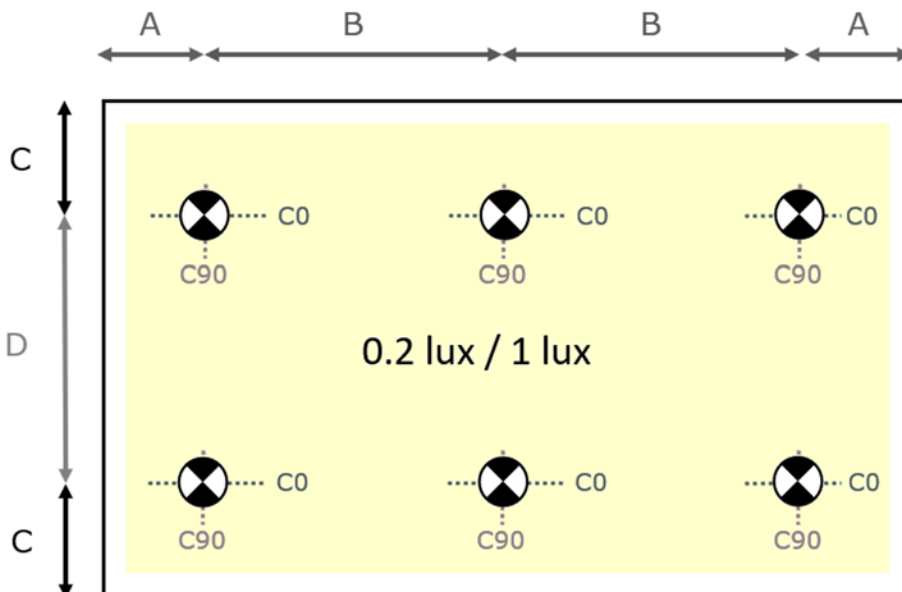
Mounting Height (m)	2.1	2.4	2.7	3.0	3.3	3.6	4.0	4.5	5.0	6.0	7.0	8.0	9.0	10.0	15.0
A	4.8	0.5	0.5	1.4	0.5	0.5	8.4	9.1	0.5	10.6	6.6	2.5	1.5	0.9	20.1
B (C0)	11.7	13.1	14.2	15.3	16.5	17.7	19.2	21.1	23.2	26.6	29.1	23.0	24.3	23.5	8.8
C	5.2	5.5	6.3	7.0	7.5	7.9	8.6	9.2	0.5	0.5	6.5	2.5	1.6	0.9	20.3
D (C90)	11.7	13.1	14.2	15.3	16.5	17.7	19.2	21.1	23.2	26.6	29.1	23.0	24.3	23.5	8.8

Spacing Table Guide

Illuminance 1 Lux

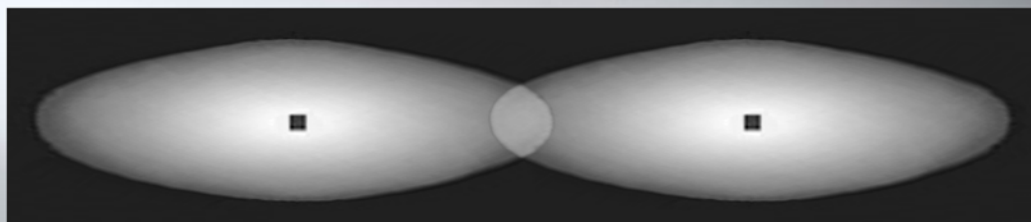
Closest Classification C0:E40 C90:E40

Mounting Height (m)	2.1	2.4	2.7	3.0	3.3	3.6	4.0	4.5	5.0	6.0	7.0
A	4.4	4.7	5.1	3.8	1.6	1.3	1.0	0.5	0.5	0.5	9.3
B (C0)	9.8	10.9	11.8	12.8	11.8	10.5	10.7	10.6	11.0	11.7	3.4
C	4.4	4.7	5.1	3.8	1.6	1.3	1.1	0.5	0.5	0.5	8.6
D (C90)	9.8	10.9	11.8	12.8	11.8	10.5	10.7	10.6	11.0	11.7	3.4



K9 Mini Escape Route Lens

K9R01

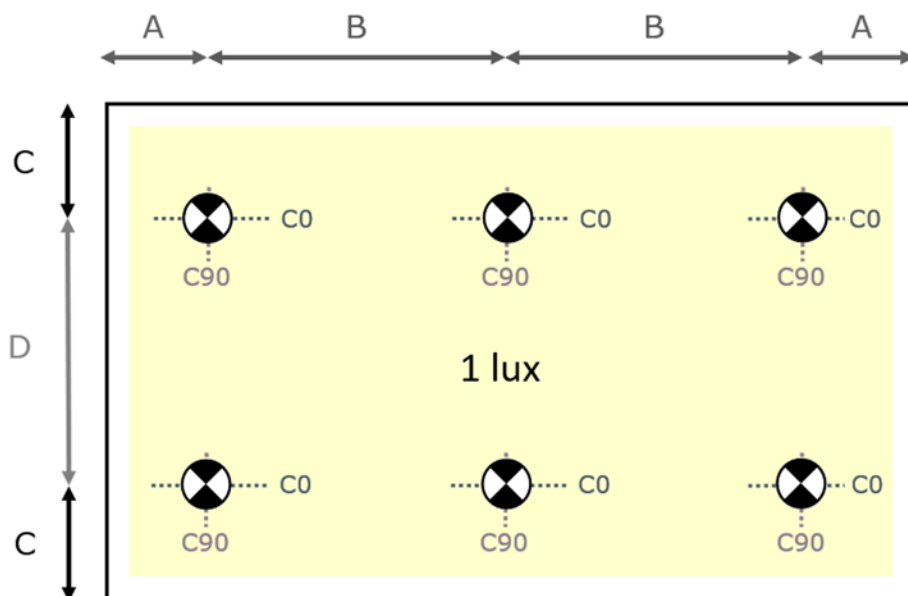


Spacing Table Guide

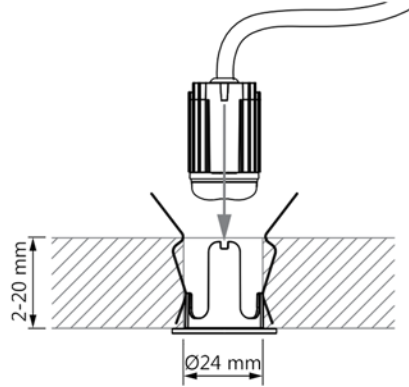
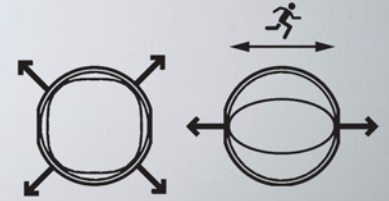
Illuminance 1 Lux

Closest Classification C0:D800 C90:A16

Mounting Height (m)	2.1	2.4	2.7	3.0	3.3	3.6	4.0	4.5	5.0	6.0	7.0	8.0	9.0
A	7.0	7.7	8.3	8.9	9.4	10.0	10.6	11.4	12.0	8.9	1.0	0.5	1.0
B (C0)	14.3	15.8	17.2	18.6	20.0	21.3	22.9	24.8	26.6	29.8	21.7	20.0	12.7
C	1.9	2.1	2.2	2.4	2.5	2.6	2.6	2.4	2.1	1.8	0.8	0.5	0.5
D (C90)	3.2	3.6	3.9	4.2	4.5	4.8	5.1	5.6	5.6	5.7	4.8	4.1	2.1

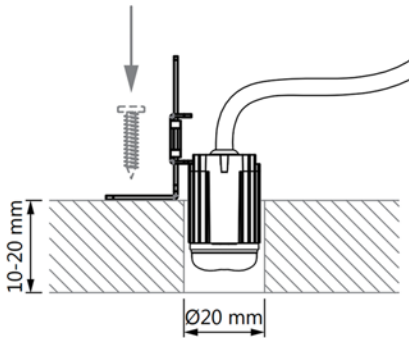


K9 Mini Accesories



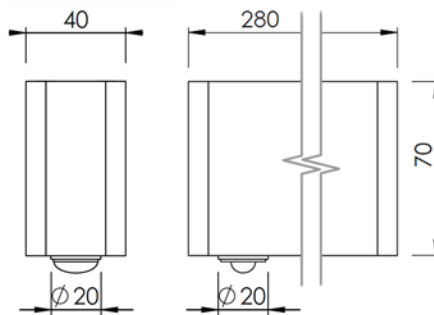
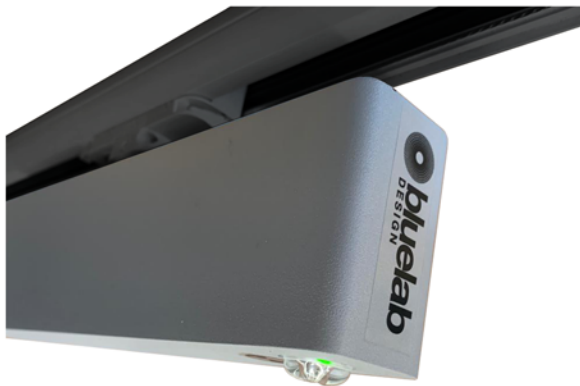
Flange Housing

A 30mm overall Polycarbonate white flange for easy installation into plaster and T-bar. Access from above the ceiling needed



"L" Bracket

For plaster ceiling, ledges or timber slat ceiling installation. With vertical precise position adjustment.



Track Light

Track mounted Emergency. Customizable power coated colour.



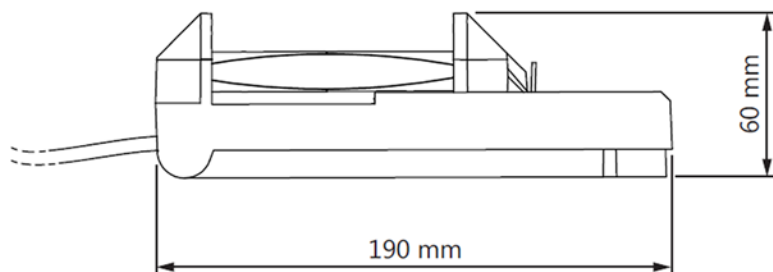
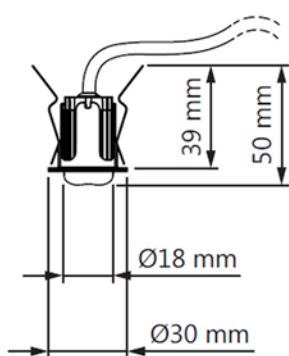
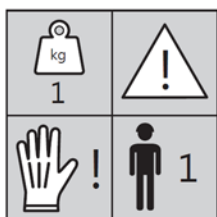
In Products

K9 mini is available in all of ETAP lighting products. Bluelab Design install K9 mini Emergencies into custom product and our signature Truss Range.

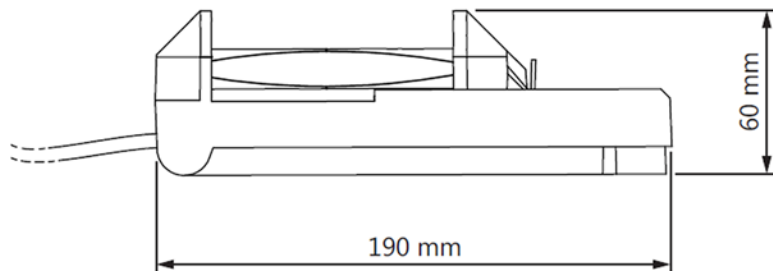
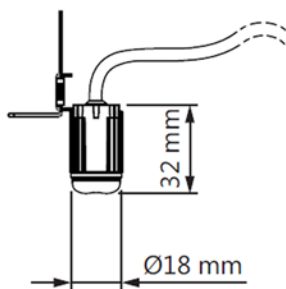
Upon request extended lead, for remote gear at extended lengths up to 20 meters. Extension lead with Wieland connected plugs, double insulated cable.

K9 Mini Installation

K9R0



Installation Diagnostic



Battery Diagnostic



Electronics Diagnostic

