

All designs, prints & specifications are property of Bluelab Design. They cannot be used without prior permission. Do not scale the drawing. Dimensions have preference over dimensions scaled from the drawings. All dimension and levels to be verified on site by the builder before the commencement of any work. Any discrepancies must be reported to Bluelab Design immediately. The contractor must comply with all specifications and other associated documents. Make all amendments, cut outs, and firm to suit, all relevant services, outlets and fittings. In the event of discrepancies the contractor must allow for the higher cost alternative in the scope of works. Any discrepancies between the architectural and services documents are to be reported to the designer for clarification. Contractor shall present material samples to the designer for approval. All work to be carried out in accordance with building code of Australia, Australian standards, statutory regulations and local authority requirements. Do not build of perspectives. Perspectives are indicating only, see contractor drawings.

This is not official drawing. It contains no accurate dimensions. This is just a representative drawing with an approximate scale.

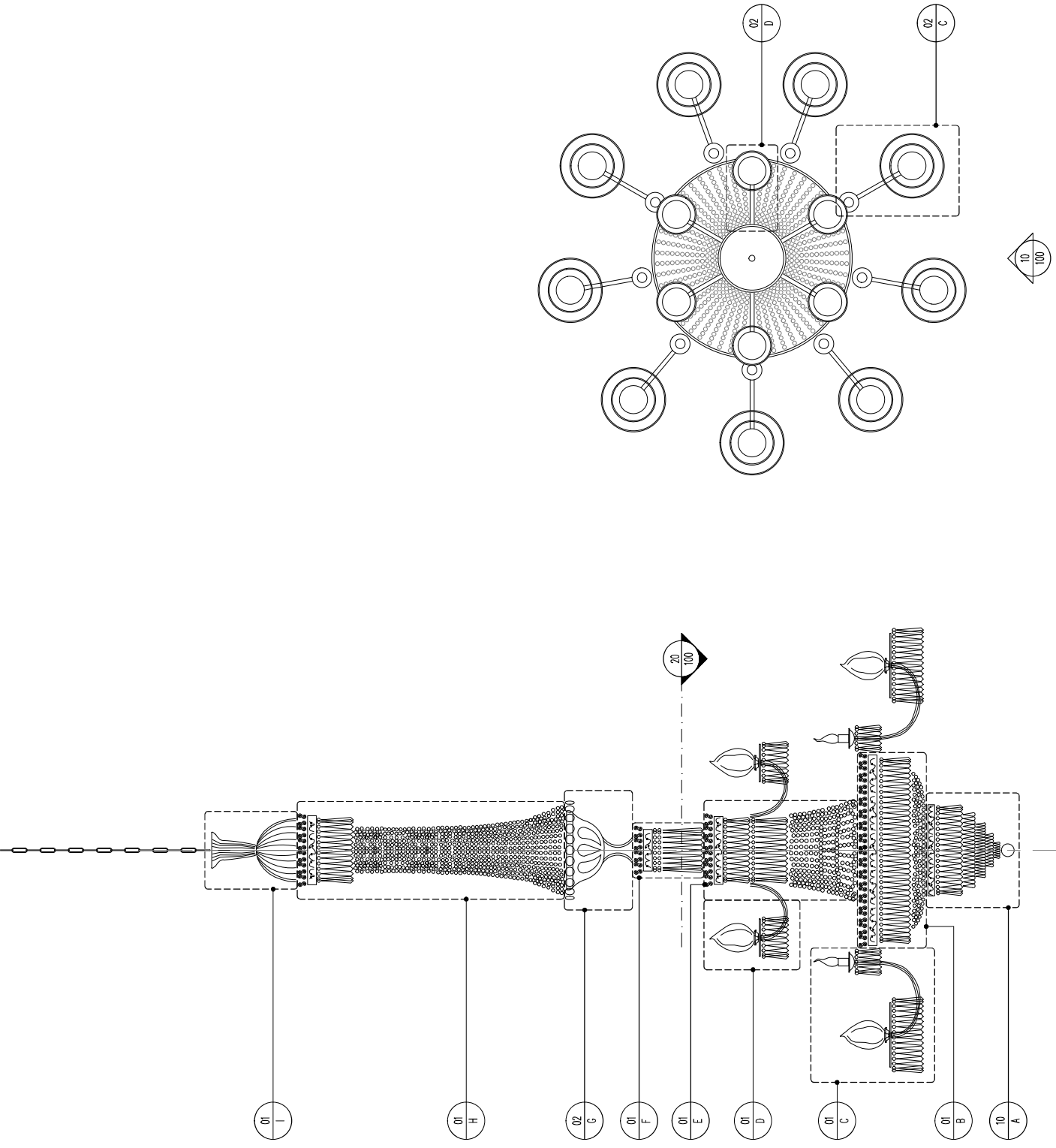
Contractor is responsible to verify all dimensions on site prior the commencement of any work. All documentation package has to be reviewed and signed by a registered architect.

PROJECT:	PARLIAMENT HOUSE / LIBRARY CHANDELIER
DRAWING TITLE:	CHANDELIER
DRAWN BY:	EA
SCALE:	1:20
DRAWING NUMBER:	ID-100

FOR INFORMATION



PROJECT:	PARLIAMENT HOUSE / LIBRARY CHANDELIER
DRAWING TITLE:	CHANDELIER
DRAWN BY:	EA
SCALE:	1:20
DRAWING NUMBER:	ID-100



20 PLAN VIEW
SCALE 1:20

10 FRONT VIEW
SCALE 1:20